



EquiSys Cable Integrated Mounting System
Mounting Reference Guide
for GE Healthcare

Valid from January 2010

EquiSys Cable Integrated Mounting System



Content

1.	General Notes	page 3
2.	European Rail Mounts for iMM Dash / FM / Light Monitor / Cardiocap 5	4
3.	Wall Mounts for iMM Dash / FM / Light Monitor / Cardiocap 5	6
4.	Pole Mounts for iMM Dash / FM / Light Monitor / Cardiocap 5	7
5.	European Rail Mounts for iMM Compact	8
6.	Wall Mounts for iMM Compact	9
7.	Pole Mounts for iMM Compact	10
8.	European Rail Mounts for iMM Anaesthesia / Intensive Monitor	12
9.	Wall Mounts for iMM Anaesthesia / Intensive Monitor	13
10.	Pole Mounts for iMM Anaesthesia / Intensive Monitor	14
11.	European Rail Mounts for iMM Solar 8000 I	15
12.	Wall Mounts for iMM Solar 8000 I	16
13.	Mounting Solutions for Tram Rac	16
14.	Mounting Solutions for FCU-8	17
15.	D-LCC 19" / 19" Solar 8000 I and 12" TFT	18
16.	Extension Kit for Variable Height Arms	18
17.	Partly Integrated Cable Management with Variable Height Arms	18
18.	Shelves and Consoles with Drawers	19
19.	Accessories	22
20.	Terms of Delivery and Payment	24

EquiSys Cable Integrated Mounting System



General Notes

Each support arm system consists of (3) components:

1. Adaptation
 - 1.1 European horizontal rail DIN 25 x 10, 30 x 10, 35 x 8, 50 x 8
 - 1.2 Scandinavian rail Uniflex, Duoflex and Modura
 - 1.3 Vertical rail 10 x 25 mm
 - 1.4 Wall channel
 - 1.5 Pole/ post 20 – 40 mm or 40 – 60 mm
 - 1.6 Customer specific adaptation

2. Support Arm
 - 1.1 Standard
 - 1.2 Pivot
 - 1.3 Articulating
 - 1.4 Variable Height Arm

Various arm lengths available.

3. Monitor adaptation
 - 3.1 Bottom mounted adaptations
 - 3.2 Rear mounted adaptations (flat panels, VESA application)

Monitor adaptation with tilt and swivel function.

Accessories

A wide range of optional accessories like cable hooks, mounts module housings or power supply holsters are available.

Maximum Weight

The maximum weight indicated on each support arm holds a 6-fold safety factor.

CE Mark

All CIM products are CE marked and comply with the MDD 93/ 42 ECC.



EquiSys Cable Integrated Mounting System



European Rail Mounts for iMM Dash / iMM FM / iMM Light Monitor / iMM Cardiocap 5

Illustration	Part no.	Description
		<p>European Rail Mount Standard support arm fixed at the rail plate monitor adaptation with tilt and swivel function rail clamp with quick release</p>
		<p>DIN rail 25 x 10, 30 x 10, 35 x 8, 50 x 10</p>
		<p>Dash 3000/ 4000/ 5000 – FM – Light Monitor – Cardiocap 5</p>
	<p>65-124A-2 65-130A-2</p>	<p>arm length 240 mm arm length 300 mm</p>
		<p>Dash 2500</p>
	<p>65-124B-2 65-130B-2</p>	<p>arm length 240 mm arm length 300 mm</p>
		<p>Uniflex, Duoflex, Modura</p>
		<p>Dash 3000/ 4000/ 5000 – FM – Light Monitor – Cardiocap 5</p>
	<p>65-124A-2K 65-130A-2K</p>	<p>arm length 240 mm arm length 300 mm</p>
		<p>Dash 2500</p>
<p>65-124B-2K 65-130B-2K</p>	<p>arm length 240 mm arm length 300 mm</p>	
		<p>European Rail Mount Pivot with swivel point at the rail plate monitor adaptation with tilt and swivel function rail clamp with quick release</p>
		<p>DIN rail 25 x 10, 30 x 10, 35 x 8, 50 x 10</p>
		<p>Dash 3000/ 4000/ 5000 – FM – Light Monitor – Cardiocap 5</p>
	<p>65-224A-2 65-230A-2</p>	<p>arm length 240 mm arm length 300 mm</p>
		<p>Dash 2500</p>
	<p>65-224B-2 65-230B-2</p>	<p>arm length 240 mm arm length 300 mm</p>
		<p>Uniflex, Duoflex, Modura</p>
		<p>Dash 3000/ 4000/ 5000 – FM – Light Monitor – Cardiocap 5</p>
	<p>65-224A-2K 65-230A-2K</p>	<p>arm length 240 mm arm length 300 mm</p>
		<p>Dash 2500</p>
<p>65-224B-2K 65-230B-2K</p>	<p>arm length 240 mm arm length 300 mm</p>	

EquiSys Cable Integrated Mounting System



Illustration	Part no.	Description
		European Rail Mount with Variable Height Arm vertical and horizontal swivel function parallel linkage for a constant viewing angle monitor adaptation with tilt and swivel function rail clamp with quick release
		DIN rail 25 x 10, 30 x 10, 35 x 8, 50 x 10
		Dash 3000/ 4000/ 5000 – FM – Light Monitor – Cardiocard 5
	65-430A-2	arm length 240 mm
		Dash 2500
	65-430B-2	arm length 400 mm
	Uniflex, Duoflex, Modura	
	Dash 3000/ 4000/ 5000 – FM – Light Monitor – Cardiocard 5	
65-430A-2K	arm length 240 mm	
	Dash 2500	
65-430B-2K	arm length 400 mm	
(illustration shown without monitor)		European Rail Mount with Variable Height Arm and Extension vertical and horizontal swivel function parallel linkage for a constant viewing angle monitor adaptation with tilt and swivel function rail clamp with quick release
		DIN rail 25 x 10, 30 x 10, 35 x 8, 50 x 10
		Dash 3000/ 4000/ 5000 – FM – Light Monitor – Cardiocard 5
	65-53024A-2	arm length 400 mm, extension 240 mm
	65-53030A-2	arm length 400 mm, extension 300 mm
		Dash 2500
	65-53024B-2	arm length 400 mm, extension 240 mm
	65-53030B-2	arm length 400 mm, extension 300 mm
		Uniflex, Duoflex, Modura
		Dash 3000/ 4000/ 5000 – FM – Light Monitor – Cardiocard 5
	65-53024A-2K	arm length 400 mm, extension 240 mm
	65-53030A-2K	arm length 400 mm, extension 300 mm
		Dash 2500
65-53024B-2K	arm length 400 mm, extension 240 mm	
65-53030B-2K	arm length 400 mm, extension 300 mm	

EquiSys Cable Integrated Mounting System



Wall Mounts for iMM Dash / iMM FM / iMM Light Monitor / iMM Cardiocap 5

Illustration	Part no.	Description
	65-224A-4 65-230A-4	Wall Mount Pivot to mount to CIM wall channel or existing wall channel support arm with swivel point at the wall channel monitor adaptation with tilt and swivel function Dash 3000/ 4000/ 5000 – FM – Light Monitor – Cardiocap 5
	65-224B-4 65-230B-4	Dash 2500 arm length 240 mm arm length 300 mm
	65-0048	Wall Channel length 480 mm, including channel cover
	65-430A-4	Wall Mount with Variable Height Arm to mount to CIM wall channel or existing wall channel vertical and horizontal swivel function parallel linkage for a constant viewing angle monitor adaptation with tilt and swivel function Dash 3000/ 4000/ 5000 – FM – Light Monitor – Cardiocap 5
	65-430B-4	Dash 2500 arm length 400 mm
	65-0048	Wall Channel length 480 mm, including channel cover
	65-53024A-4 65-53030A-4	Wall Mount with Variable Height Arm and Extension to mount to CIM wall channel or existing wall channel vertical and horizontal swivel function parallel linkage for a constant viewing angle monitor adaptation with tilt and swivel function Dash 3000/ 4000/ 5000 – FM – Light Monitor – Cardiocap 5
(illustration shown without monitor)	65-53024B-4 65-53030B-4	Dash 2500 arm length 400 mm, extension 240 mm arm length 400 mm, extension 300 mm
	65-0048	Wall Channel length 480 mm, including channel cover

EquiSys Cable Integrated Mounting System




Pole Mounts for iMM Dash / iMM FM / iMM Light Monitor / iMM Cardiocap 5

Illustration	Part no.	Description
	65-124A-1V 65-130A-1V	Pole Mount Standard fixed at the pole adapter monitor adaptation with tilt and swivel function pole Ø 20 – 40 mm Dash 3000/ 4000/ 5000 – FM – Light Monitor – Cardiocap 5
	65-224A-1V 65-230A-1V	Pole Mount Pivot swivel point at the pole adapter monitor adaptation with tilt and swivel function pole Ø 20 – 40 mm Dash 3000/ 4000/ 5000 – FM – Light Monitor – Cardiocap 5
	65-430A-1V 65-430B-1V	Pole Mount with Variable Height Arm vertical and horizontal swivel function parallel linkage for a constant viewing angle monitor adaptation with tilt/ swivel function pole Ø 20 – 40 mm Dash 3000/ 4000/ 5000 – FM – Light Monitor – Cardiocap 5
	65-430A-1V 65-430B-1V	Dash 2500 arm length 240 mm arm length 300 mm Dash 3000/ 4000/ 5000 arm length 400 mm arm length 400 mm

EquiSys Cable Integrated Mounting System



Illustration	Part no.	Description
 <p>(illustration shown without monitor)</p>		<p>Pole Mount with Variable Height Arm and Extension vertical and horizontal swivel function parallel linkage for a constant viewing angle monitor adaptation with tilt/ swivel function</p> <p>pole Ø 20 – 40 mm</p> <p>Dash 3000/ 4000/ 5000 – FM – Light Monitor – Cardiacap 5</p>
	65-53024A-1V 65-53030A-1V	arm length 400 mm, extension 240 mm arm length 400 mm, extension 300 mm
		<p>Dash 2500</p>
	65-53024B-1V 65-53030B-1V	arm length 400 mm, extension 240 mm arm length 400 mm, extension 300 mm

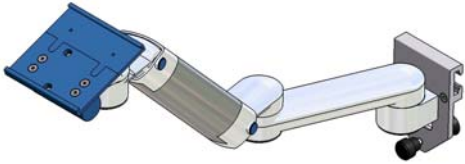
European Rail Mounts for iMM Compact

Illustration	Part no.	Description
		<p>European Rail Mount Standard support arm fixed at the rail plate monitor adaptation with tilt and swivel function, rail clamp with quick release</p> <p>DIN rail 25 x 10, 30 x 10, 35 x 8, 50 x 10</p>
	65-124A-2 65-130A-2	arm length 240 mm arm length 300 mm
		Uniflex, Duoflex, Modura
	65-124A-2K 65-130A-2K	arm length 240 mm arm length 300 mm
	65-DX-CM	Mounting Adapter for iMM Compact
		<p>European Rail Mount Pivot with swivel point at the rail plate monitor adaptation with tilt and swivel function, rail clamp with quick release</p> <p>DIN rail 25 x 10, 30 x 10, 35 x 8, 50 x 10</p>
	65-224A-2 65-230A-2	arm length 240 mm arm length 300 mm
		Uniflex, Duoflex, Modura
	65-224A-2K 65-224A-2K	arm length 240 mm arm length 300 mm
	65-DX-CM	Mounting Adapter for iMM Compact

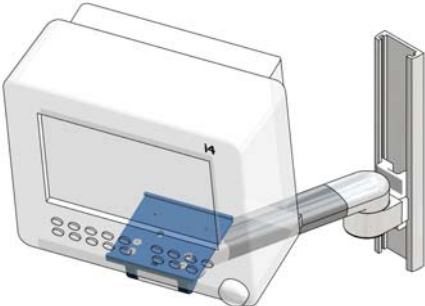
EquiSys Cable Integrated Mounting System



Illustration	Part no.	Description
		European Rail Mount with Variable Height Arm vertical and horizontal swivel function parallel linkage for a constant viewing angle monitor adaptation with tilt and swivel function, rail clamp with quick release DIN rail 25 x 10, 30 x 10, 35 x 8, 50 x 10
	65-430A-2	arm length 400 mm
		Uniflex, Duoflex, Modura
	65-430A-2K	arm length 400 mm
	65-DX-CM	Mounting Adapter for IMM Compact

 <p>(illustration shown without monitor)</p>		European Rail Mount with Variable Height Arm and Extension vertical and horizontal swivel function parallel linkage for a constant viewing angle monitor adaptation with tilt and swivel function, rail clamp with quick release DIN rail 25 x 10, 30 x 10, 35 x 8, 50 x 10
	65-53024A-2	arm length 400 mm, extension 240 mm
	65-53030A-2	arm length 400 mm, extension 300 mm
		Uniflex, Duoflex, Modura
	65-53024A-2K	arm length 400 mm, extension 240 mm
	65-53030A-2K	arm length 400 mm, extension 300 mm
	65-DX-CM	Mounting Adapter for IMM Compact

Wall Mounts for IMM Compact

Illustration	Part no.	Description
		Wall Mount Pivot to mount to CIM wall channel or existing wall channel support arm with swivel point at the wall channel monitor adaptation with tilt and swivel function
	65-224A-4	arm length 240 mm
	65-230A-4	arm length 300 mm
	65-0048	Wall Channel length 480 mm, including channel cover
	65-DX-CM	Mounting Adapter for IMM Compact

EquiSys Cable Integrated Mounting System



Illustration	Part no.	Description
	65-430A-4	Wall Mount with Variable Height Arm to mount to CIM wall channel or existing wall channel vertical and horizontal swivel function parallel linkage for a constant viewing angle monitor adaptation with tilt and swivel function
	65-0048	Wall Channel length 480 mm, including channel cover
	65-DX-CM	Mounting Adapter for iMM Compact
	65-53024A-4	Wall Mount with Variable Height Arm and Extension to mount to CIM wall channel or existing wall channel vertical and horizontal swivel function parallel linkage for a constant viewing angle monitor adaptation with tilt and swivel function
	65-53030A-4	arm length 400 mm, extension 240 mm
	65-0048	Wall Channel length 480 mm, including channel cover
	65-DX-CM	Mounting Adapter for iMM Compact
(illustration shown without monitor)		

Pole Mounts for iMM Compact

Illustration	Part no.	Description
	65-124A-1V	Pole Mount Standard fixed at the pole adapter monitor adaptation with tilt and swivel function pole Ø 20 – 40 mm
	65-130A-1V	arm length 240 mm
	65-130A-1V	arm length 300 mm
	65-DX-CM	Mounting Adapter for iMM Compact

EquiSys Cable Integrated Mounting System



Illustration	Part no.	Description
	65-224A-1V 65-230A-1V	Pole Mount Pivot swivel point at the pole adapter monitor adaptation with tilt and swivel function arm length 240 mm arm length 300 mm
	65-430A-1V 65-DX-CM	Pole Mount with Variable Height Arm vertical and horizontal swivel function parallel linkage for a constant viewing angle monitor adaptation with tilt/ swivel function pole Ø 20 – 40 mm arm length 400 mm Mounting Adapter for iMM Compact
	65-53024A-1V 65-53030A-1V 65-DX-CM	Pole Mount with Variable Height Arm and Extension vertical and horizontal swivel function parallel linkage for a constant viewing angle monitor adaptation with tilt and swivel function pole Ø 20 – 40 mm arm length 400 mm, extension 240 mm arm length 400 mm, extension 300 mm Mounting Adapter for iMM Compact

(illustration shown without monitor)

EquiSys Cable Integrated Mounting System



European Rail Mounts for IMM Anaesthesia / Intensive Monitor

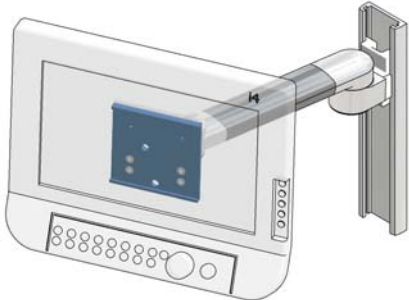
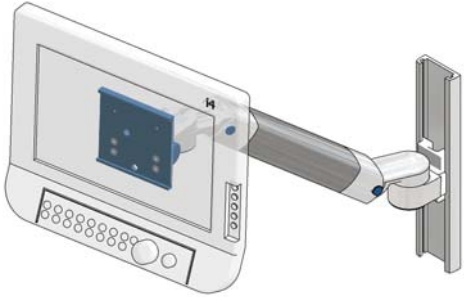
Illustration	Part no.	Description
	65-124A-2 65-130A-2	European Rail Mount Standard support arm fixed at the rail plate monitor adaptation with tilt and swivel function, rail clamp with quick release DIN rail 25 x 10, 30 x 10, 35 x 8, 50 x 10
	65-124A-2K 65-130A-2K	Uniflex, Duoflex, Modura arm length 240 mm arm length 300 mm
	65-DX-LCD15	Mounting Adapter for IMM Anaesthesia/ Intensive Monitor
	65-224A-2 65-230A-2	European Rail Mount Pivot with swivel point at the rail plate monitor adaptation with tilt and swivel function, rail clamp with quick release DIN rail 25 x 10, 30 x 10, 35 x 8, 50 x 10
	65-224A-2K 65-224A-2K	Uniflex, Duoflex, Modura arm length 240 mm arm length 300 mm
	65-DX-LCD15	Mounting Adapter for IMM Compact Anaesthesia/ Intensive Monitor
	65-430A-2	European Rail Mount with Variable Height Arm vertical and horizontal swivel function parallel linkage for a constant viewing angle monitor adaptation with tilt and swivel function, rail clamp with quick release DIN rail 25 x 10, 30 x 10, 35 x 8, 50 x 10
	65-430A-2K	Uniflex, Duoflex, Modura arm length 400 mm
	65-DX-LCD15	Mounting Adapter for IMM Anaesthesia/ Intensive Monitor

EquiSys Cable Integrated Mounting System



Illustration	Part no.	Description
w/o illustration		<p>European Rail Mount with Variable Height Arm and Extension vertical and horizontal swivel function parallel linkage for a constant viewing angle monitor adaptation with tilt and swivel function, rail clamp with quick release</p> <p>DIN rail 25 x 10, 30 x 10, 35 x 8, 50 x 10</p> <p>65-53024A-2 arm length 400 mm, extension 240 mm 65-53030A-2 arm length 400 mm, extension 300 mm</p> <p>Uniflex, Duoflex, Modura</p> <p>65-53024A-2K arm length 400 mm, extension 240 mm 65-53030A-2K arm length 400 mm, extension 300 mm</p> <p>65-DX-LCD15 Mounting Adapter for iMM Anaesthesia/ Intensive Monitor</p>

Wall Mounts for iMM Anaesthesia / Intensive Monitor

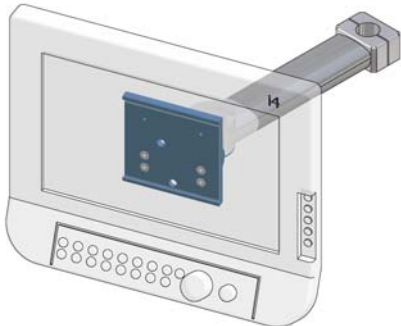
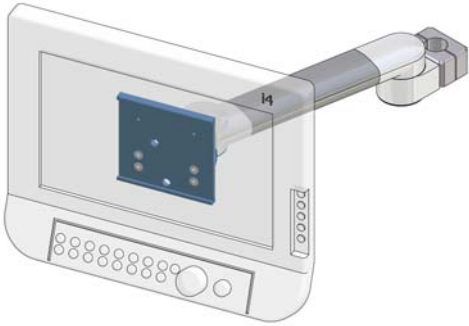
Illustration	Part no.	Description
	<p>65-224A-4 arm length 240 mm 65-230A-4 arm length 300 mm</p> <p>65-0048 Wall Channel length 480 mm, including channel cover</p> <p>65-DX-LCD15 Mounting Adapter for iMM Anaesthesia/ Intensive Monitor</p>	<p>Wall Mount Pivot to mount to CIM wall channel or existing wall channel support arm with swivel point at the wall channel monitor adaptation with tilt and swivel function</p>
	<p>65-430A-4 arm length 400 mm</p> <p>65-0048 Wall Channel length 480 mm, including channel cover</p> <p>65-DX-LCD15 Mounting Adapter for iMM Anaesthesia/ Intensive Monitor</p>	<p>Wall Mount with Variable Height Arm to mount to CIM wall channel or existing wall channel vertical and horizontal swivel function parallel linkage for a constant viewing angle monitor adaptation with tilt and swivel function</p>

EquiSys Cable Integrated Mounting System




Illustration	Part no.	Description
w/o illustration		<p>Wall Mount with Variable Height Arm and Extension to mount to CIM wall channel or existing wall channel vertical and horizontal swivel function parallel linkage for a constant viewing angle monitor adaptation with tilt and swivel function</p>
	65-53024A-4	arm length 400 mm, extension 240 mm
	65-53030A-4	arm length 400 mm, extension 300 mm
	65-0048	Wall Channel length 480 mm, including channel cover
	65-DX-LCD15	Mounting Adapter for iMM Anaesthesia/ Intensive Monitor

Pole Mounts for iMM Anaesthesia / Intensive Monitor

Illustration	Part no.	Description
		<p>Pole Mount Standard fixed at the pole adapter monitor adaptation with tilt and swivel function</p> <p>pole Ø 20 – 40 mm</p>
	65-124A-1V	arm length 240 mm
	65-130A-1V	arm length 300 mm
	65-DX-LCD15	Mounting Adapter for iMM Anaesthesia/ Intensive Monitor
		<p>Pole Mount Pivot swivel point at the pole adapter monitor adaptation with tilt and swivel function</p>
	65-224A-1V	arm length 240 mm
	65-230A-1V	arm length 300 mm
	65-DX-LCD15	Mounting Adapter for iMM Anaesthesia/ Intensive Monitor

EquiSys Cable Integrated Mounting System



Illustration	Part no.	Description
		Pole Mount with Variable Height Arm vertical and horizontal swivel function parallel linkage for a constant viewing angle monitor adaptation with tilt/ swivel function pole Ø 20 – 40 mm arm length 400 mm
	65-430A-1V 65-DX-LCD15	Mounting Adapter for iMM Anaesthesia/ Intensive Monitor

European Rail Mounts for iMM Solar 8000 i

Illustration	Part no.	Description
		European Rail Mount Standard for CPU support arm fixed at the rail plate monitor adaptation with tilt and swivel function, rail clamp with quick release DIN rail 25 x 10, 30 x 10, 35 x 8, 50 x 10
	65-138A-2	arm length 380 mm
	65-138A-2K	arm length 380 mm
	65-7400	Stack Mount for Flat Panel to mount on top of CPU monitor adapter with tilt and swivel function
		European Rail Mount Pivot for CPU with swivel point at the rail plate monitor adaptation with tilt and swivel function, rail clamp with quick release DIN rail 25 x 10, 30 x 10, 35 x 8, 50 x 10
	65-238A-2	arm length 380 mm
	65-238A-2K	arm length 380 mm
	65-7400	Stack Mount for Flat Panel to mount on top of CPU monitor adapter with tilt and swivel function

EquiSys Cable Integrated Mounting System



Wall Mounts for IMM Solar 8000 i

Illustration	Part no.	Description
	<p>65-138A-4</p> <p>65-0048</p> <p>65-7400</p>	<p>Wall Mount Standard for CPU to mount to CIM wall channel or existing wall channel support arm fixed at the wall channel monitor adaptation with tilt and swivel function</p> <p>arm length 380 mm</p> <p>Wall Channel length 480 mm, including channel cover</p> <p>Stack Mount for Flat Panel to mount on top of CPU monitor adapter with tilt and swivel function</p>
	<p>65-238A-4</p> <p>65-0048</p> <p>65-7400</p>	<p>Wall Mount Pivot for CPU to mount to CIM wall channel or existing wall channel support arm with swivel function at the wall channel monitor adaptation with tilt and swivel function</p> <p>arm length 380 mm</p> <p>Wall Channel length 480 mm, including channel cover</p> <p>Stack Mount for Flat Panel to mount on top of CPU monitor adapter with tilt and swivel function</p>

Mounting Solutions for Tram Rac

Illustration	Part no.	Description
	<p>65-31GE</p>	<p>Swivel C-Clamp for Tram Rac</p> <p>to mount to support arms with horizontal monitor adaptation</p>

EquiSys Cable Integrated Mounting System



Illustration	Part no.	Description
A 3D perspective view of a rectangular metal mounting bracket. A vertical cylindrical post with a circular top flange is mounted on the top surface. The front face of the bracket has a recessed rectangular area and a series of small rectangular slots along the right edge.	65-21GE	Swivel C-Clamp for Tram Rac to mount to support arms with vertical monitor adaptation

Mounting Solutions for FCU-8

Illustration	Part no.	Description
A 3D perspective view of a rectangular metal mounting bracket. A vertical cylindrical post with a circular top flange is mounted on the top surface. The front face of the bracket features a complex array of ports, including circular connectors and a larger rectangular slot.	65-30GE	Swivel C-Clamp for Tram Rac to mount to support arms with horizontal monitor adaptation
A 3D perspective view of a rectangular metal mounting bracket, similar to the 65-21GE model. A vertical cylindrical post with a circular top flange is mounted on the top surface. The front face has a recessed rectangular area and a series of small rectangular slots along the right edge.	65-20GE	Swivel C-Clamp for Tram Rac to mount to support arms with vertical monitor adaptation

EquiSys Cable Integrated Mounting System



D-LCC 19", 19" Solar 8000 i and 12" TFT

Please refer to the IT Mounting Reference Guide for suitable mounting solutions for D-LCC 19", 19" Solar 8000 I and 12" TFT.

Extension Kit for Variable Height Arms

Bottom-mounted devices which are mounted to Variable Height Arms in a 90° angle to the arm with the arm placed in the lowest position may collide with the arm.

In this case an extension is mounted between the arm and the monitor adaptation.

Illustration	Part no.	Description
	65-EXT	Extension to mount between monitor adaptation and support arm

Partly Integrated Cable Management with Variable Height Arms

Cables with variable height arms may be either completely integrated (running through joints) or partly integrated. In this case cables run within the aluminium profile with cable pass-thru.

Illustration	Part no.	Description
	65-HVK	Aluminum Profile with Cable Pass-Thru for variable height arms
w/o illustration	65-VLK-24 65-VLK-30	Profile with Cable Pass-Thru for extension arm L 240 mm L 300 mm

EquiSys Cable Integrated Mounting System



Shelves and Consoles with Drawers

Illustration	Part no.	Description
 A perspective view of a dark grey console with a white drawer. The console has a metal rail on the top edge and a mounting bracket on the right side.	75-001-02	Console with Drawer for European rails 10 x 25, 8 x 35, 10 x 30, 10 x 50 mm W 400 x D 420 mm
 A perspective view of a dark grey console with a white drawer. The console has a metal rail on the top edge and a mounting bracket on the right side.	75-001-01V	Console with Drawer for poles Ø 20 – 40 mm W 400 x D 420 mm
 A perspective view of a dark grey console with a white drawer. The console has a metal rail on the top edge and a mounting bracket on the right side.	75-001-04	Console with Drawer to attach to CIM wall channel or existing wall channel W 400 x D 420 mm

EquiSys Cable Integrated Mounting System



Illustration	Part no.	Description
 A 3D perspective illustration of a grey counter top with a blue VESA mounting plate attached to its top surface. The counter has a front panel with a handle and a locking mechanism on the right side.		Counter Top available in different heights for patient monitors and flat panels with VESA standard can be mounted to all shelves and consoles (those must be ordered separately).
 A 3D perspective illustration of a white shelf with a metal frame. It features a sliding mechanism on the right side and a locking pin on the left side.	75-002-02	Shelf for European rails 10 x 25, 8 x 35, 10 x 30, 10 x 50 mm W 400 x D 420 mm
 A 3D perspective illustration of a white shelf with a metal frame. It has a locking pin on the right side and a sliding mechanism on the left side.	75-002-01V	Shelf for poles Ø 20 – 40 mm W 400 x D 420 mm
 A 3D perspective illustration of a white shelf with a metal frame. It has a locking pin on the right side and a sliding mechanism on the left side.	75-002-04	Shelf to attach to wall channel W 400 x D 420 mm

EquiSys Cable Integrated Mounting System



HPL surface (High Pressed Laminate) is scratch-proof and resistant against detergents. Four different standard colours are available.



yellow-green
NSC S1060-G60Y



lagune
NSC 1040-G



ice-blue
NSC 1005-R90B



white
NSC 0502-G50Y

Please add the colour code to each part no.:

yellow-green	-G
lagune	-L
ice-blue	-F
white	-W

EquiSys Cable Integrated Mounting System



Accessories

Illustration	Part no.	Description
	<p>65-14-4 65-14-2 65-14-1</p>	<p>Power Supply Holster (Universal Mount) to mount to CIM wall channel or existing wall channel to attach to European rail 10 x 25 mm to attach to poles Ø 25 mm/ 38 mm</p>
	<p>65-51-2 65-51-4 65-52-2 65-52-4</p>	<p>Basket W 300 x D 200 x H 180 mm to attach to European rail with quick release clamp to mount to CIM wall channel or existing wall channel W 200 x D 150 x H 100 mm to attach to European rail with quick release clamp to mount to CIM wall channel or existing wall channel</p>
	<p>65-51-7 65-52-7 65-2128 65-2127</p>	<p>Swivel Basket W 300 x D 200 x H 180 mm W 200 x D 150 x H 100 mm to attach to support arm Cable Hook to mount to wall channel Cable Hook to mount to basket down post</p>
	<p>65-2129</p>	<p>Cable Hook to mount to support arm</p>

EquiSys Cable Integrated Mounting System



Illustration	Part no.	Description
	65-2130	<p>Set of Cable Clips (10) cable clips in 3 different sizes self-adhesive</p> <p>Minimum order quantity: 5 sets</p>
	65-2131	<p>Cable Clips self-adhesive</p> <p>Minimum order quantity: 30 pieces</p>
	65-0048 65-0072 65-0096 65-0120	<p>Wall Channel including channel cover</p> <p>length 480 mm length 720 mm length 960 mm length 1200 mm</p> <p>Please ask for special length if required.</p>
	65-DP-15 65-DP-24 65-DP-30	<p>Handle Bar suitable to mount below front joint of the arm</p> <p>length 150 mm length 240 mm length 300 mm</p>

EquiSys Cable Integrated Mounting System



Terms of Delivery and Payment

Payment: 30 days net
Delivery: ex works
Packaging:

Minimum Order Quantity

Customizing of Products

If you need specific and custom-designed solutions, please feel free to contact us.

Not included in delivery

Monitor specific adapter plates which may be required are available depending on monitor type.

Exclusive US Distributor:

Surgimed Solutions, LLC
27 Siemon Company Drive
Suite 104W
Watertown, CT 06795
T (860)274-5900- F (860)274-5906
Email: info@surgimedolutions.com
www.surgimedolutions.com