

EquiSys Cable Integrated Mounting System
Mounting Reference Guide
for Dräger

Valid from January 2010

EquiSys Cable Integrated Mounting System



Content

1.	General Notes	page 3
2.	European Rail Mounts for Infinity Delta/ Delta XK/ Gamma/ Gamma XL/ Gamma X XL/ Kappa with CPU	4
3.	Wall Mounts for Infinity Delta/ Delta XK/ Gamma/ Gamma XL/ Gamma X XL/ Kappa with CPU	5
4.	Pole Mounts for Infinity Delta/ Delta XK/ Gamma/ Gamma XL/ Gamma X XL/ Kappa with CPU	6
5.	European Rail Mounts for Infinity Kappa XLT	7
6.	Wall Mounts for Infinity Kappa XLT.....	9
7.	Pole Mounts for Infinity Kappa XLT	10
8.	Mounting Systems for Infinity Explorer and Infinity Symphony	11
9.	Extension Kit for Variable Height Arms	11
10.	Partly Integrated Cable Management with Variable Height Arms	11
11.	Shelves and Consoles with Drawers	12
12.	Accessories	15
13.	Terms of Delivery and Payment	17

EquiSys Cable Integrated Mounting System



General Notes

Each support arm system consists of (3) components:

1. Adaptation
 - 1.1 European horizontal rail DIN 25 x 10, 30 x 10, 35 x 8, 50 x 8
 - 1.2 Scandinavian rail Uniflex, Duoflex and Modura
 - 1.3 Vertical rail 10 x 25 mm
 - 1.4 Wall channel
 - 1.5 Pole/ post 20 – 40 mm or 40 – 60 mm
 - 1.6 Customer specific adaptation

 2. Support Arm
 - 1.1 Standard
 - 1.2 Pivot
 - 1.3 Articulating
 - 1.4 Variable Height Arm
- Various arm lengths available.
3. Monitor adaptation
 - 3.1 Bottom mounted adaptations
 - 3.2 Rear mounted adaptations (flat panels, VESA application)

Monitor adaptation with tilt and swivel function.

Accessories

A wide range of optional accessories like cable hooks, mounts module housings or power supply holsters are available.

Maximum Weight

The maximum weight indicated on each support arm holds a 6-fold safety factor.

CE Mark

All CIM products are CE marked and comply with the MDD 93/ 42 ECC.



EquiSys Cable Integrated Mounting System



European Rail Mounts for Infinity Delta/ Delta XL/ Gamma/ Gamma XL/ Gamma X XL/ Kappa with CPU



Illustration	Part no.	Description
	65-124A-2 65-130A-2	European Rail Mount Standard support arm fixed at the rail plate monitor adaptation with tilt and swivel function rail clamp with quick release
		DIN rail 25 x 10, 30 x 10, 35 x 8, 50 x 10
	65-124A-2K 65-130A-2K	arm length 240 mm arm length 300 mm
		Uniflex, Duoflex, Modura
	65-224A-2 65-230A-2	European Rail Mount Pivot with swivel point at the rail plate monitor adaptation with tilt and swivel function rail clamp with quick release
		DIN rail 25 x 10, 30 x 10, 35 x 8, 50 x 10
	65-224A-2K 65-230A-2K	arm length 240 mm arm length 300 mm
		Uniflex, Duoflex, Modura
	65-430A-2	European Rail Mount with Variable Height Arm vertical and horizontal swivel function parallel linkage for a constant viewing angle monitor adaptation with tilt and swivel function rail clamp with quick release
		DIN rail 25 x 10, 30 x 10, 35 x 8, 50 x 10
	65-430A-2K	arm length 400 mm
		Uniflex, Duoflex, Modura
	65-430A-2K	arm length 400 mm

EquiSys Cable Integrated Mounting System



Illustration	Part no.	Description
		European Rail Mount with Variable Height Arm and Extension vertical and horizontal swivel function parallel linkage for a constant viewing angle monitor adaptation with tilt and swivel function rail clamp with quick release DIN rail 25 x 10, 30 x 10, 35 x 8, 50 x 10
	65-53024A-2	arm length 400 mm, extension 240 mm
	65-53030A-2	arm length 400 mm, extension 300 mm
		Uniflex, Duoflex, Modura
	65-53024A-2K	arm length 400 mm, extension 240 mm
	65-53030A-2K	arm length 400 mm, extension 300 mm

Wall Mounts for Infinity Delta/ Delta XL/ Gamma/ Gamma XL/ Gamma X XL/ Kappa with CPU

Illustration	Part no.	Description
		Wall Mount Pivot to mount to CIM wall channel or existing wall channel support arm with swivel point at the wall channel monitor adaptation with tilt and swivel function
	65-224A-4	arm length 240 mm
	65-230A-4	arm length 300 mm
	65-0048	Wall Channel length 480 mm, including channel cover
		Wall Mount with Variable Height Arm to mount to CIM wall channel or existing wall channel vertical and horizontal swivel function parallel linkage for a constant viewing angle monitor adaptation with tilt and swivel function
	65-430A-4	arm length 400 mm
	65-0048	Wall Channel length 480 mm, including channel cover

EquiSys Cable Integrated Mounting System




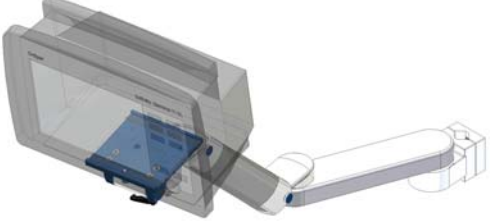
Illustration	Part no.	Description
		Wall Mount with Variable Height Arm and Extension
		to mount to CIM wall channel or existing wall channel
		vertical and horizontal swivel function
65-53024A-4	parallel linkage for a constant viewing angle	monitor adaptation with tilt and swivel function
65-53030A-4	arm length 400 mm, extension 240 mm	arm length 400 mm, extension 300 mm
65-0048	Wall Channel	length 480 mm, including channel cover

Pole Mounts for Infinity Delta/ Delta XL/ Gamma/ Gamma XL/ Gamma X XL/ Kappa with CPU


Illustration	Part no.	Description
	Pole Mount Standard	fixed at the pole adapter
		monitor adaptation with tilt and swivel function
		pole Ø 20 – 40 mm
65-124A-1V	arm length 240 mm	arm length 300 mm
65-130A-1V	arm length 300 mm	
	Pole Mount Pivot	swivel point at the pole adapter
		monitor adaptation with tilt and swivel function
		pole Ø 20 – 40 mm
65-224A-1V	arm length 240 mm	arm length 300 mm
65-230A-1V	arm length 300 mm	

EquiSys Cable Integrated Mounting System



Illustration	Part no.	Description
	65-430A-1V	<p>Pole Mount with Variable Height Arm vertical and horizontal swivel function parallel linkage for a constant viewing angle monitor adaptation with tilt/ swivel function</p> <p>pole Ø 20 – 40 mm arm length 400 mm</p>
	65-53024A-1V 65-53030A-1V	<p>Pole Mount with Variable Height Arm and Extension vertical and horizontal swivel function parallel linkage for a constant viewing angle monitor adaptation with tilt/ swivel function</p> <p>pole Ø 20 – 40 mm arm length 400 mm, extension 240 mm arm length 400 mm, extension 300 mm</p>

European Rail Mounts for Infinity Kappa XLT

Illustration	Part no.	Description
	65-124G-2 65-130G-2	<p>European Rail Mount Standard support arm fixed at the rail plate monitor adaptation with tilt and swivel function, VESA 75/ 100 rail clamp with quick release</p> <p>DIN rail 25 x 10, 30 x 10, 35 x 8, 50 x 10</p> <p>arm length 240 mm arm length 300 mm</p>
	65-124G-2K 65-130G-2K	<p>Uniflex, Duoflex, Modura</p> <p>arm length 240 mm arm length 300 mm</p>

EquiSys Cable Integrated Mounting System



Illustration	Part no.	Description
	65-224G-2 65-230G-2	<p>European Rail Mount Pivot with swivel point at the rail plate monitor adaptation with tilt and swivel function, VESA 75/ 100 rail clamp with quick release</p> <p>DIN rail 25 x 10, 30 x 10, 35 x 8, 50 x 10</p>
	65-224G-2K 65-224G-2K	<p>Uniflex, Duoflex, Modura</p> <p>arm length 240 mm arm length 300 mm</p>
	65-430G-2	<p>European Rail Mount with Variable Height Arm vertical and horizontal swivel function parallel linkage for a constant viewing angle monitor adaptation with tilt and swivel function, VESA 75/ 100 rail clamp with quick release</p> <p>DIN rail 25 x 10, 30 x 10, 35 x 8, 50 x 10</p>
	65-430G-2K	<p>Uniflex, Duoflex, Modura</p> <p>arm length 400 mm arm length 400 mm</p>
	65-53024G-2 65-53030G-2	<p>European Rail Mount with Variable Height Arm and Extension vertical and horizontal swivel function parallel linkage for a constant viewing angle monitor adaptation with tilt and swivel function, VESA 75/ 100 rail clamp with quick release</p> <p>DIN rail 25 x 10, 30 x 10, 35 x 8, 50 x 10</p>
	65-53024G-2K 65-53030G-2K	<p>Uniflex, Duoflex, Modura</p> <p>arm length 400 mm, extension 240 mm arm length 400 mm, extension 300 mm arm length 400 mm, extension 300 mm</p>

EquiSys Cable Integrated Mounting System



Wall Mounts for Infinity Kappa XLT

Illustration	Part no.	Description
	<p>65-224G-4 65-230G-4</p> <p>65-0048</p>	<p>Wall Mount Pivot to mount to CIM wall channel or existing wall channel support arm with swivel point at the wall channel monitor adaptation with tilt and swivel function, VESA 75/ 100</p> <p>arm length 240 mm arm length 300 mm</p> <p>Wall Channel length 480 mm, including channel cover</p>
	<p>65-430G-4</p> <p>65-0048</p>	<p>Wall Mount with Variable Height Arm to mount to CIM wall channel or existing wall channel vertical and horizontal swivel function parallel linkage for a constant viewing angle monitor adaptation with tilt and swivel function, VESA 75/ 100</p> <p>arm length 400 mm</p> <p>Wall Channel length 480 mm, including channel cover</p>
	<p>65-53024G-4 65-53030G-4</p> <p>65-0048</p>	<p>Wall Mount with Variable Height Arm and Extension to mount to CIM wall channel or existing wall channel vertical and horizontal swivel function parallel linkage for a constant viewing angle monitor adaptation with tilt and swivel function, VESA 75/ 100</p> <p>arm length 400 mm, extension 240 mm arm length 400 mm, extension 300 mm</p> <p>Wall Channel length 480 mm, including channel cover</p>

EquiSys Cable Integrated Mounting System



Pole Mounts for Infinity Kappa XLT

Illustration	Part no.	Description
	<p>65-124G-1V 65-130G-1V</p>	<p>Pole Mount Standard fixed at the pole adapter monitor adaptation with tilt and swivel function, VESA 75/ 100</p> <p>pole Ø 20 – 40 mm</p> <p>arm length 240 mm arm length 300 mm</p>
	<p>65-224G-1V 65-230G-1V</p>	<p>Pole Mount Pivot swivel point at the pole adapter monitor adaptation with tilt and swivel function, VESA 75/ 100</p> <p>pole Ø 20 – 40 mm</p> <p>arm length 240 mm arm length 300 mm</p>
	<p>65-430G-1V</p>	<p>Pole Mount with Variable Height Arm vertical and horizontal swivel function parallel linkage for a constant viewing angle monitor adaptation with tilt and swivel function, VESA 75/ 100</p> <p>pole Ø 20 – 40 mm</p> <p>arm length 400 mm</p>
	<p>65-53024G-1V 65-53030G-1V</p>	<p>Pole Mount with Variable Height Arm and Extension vertical and horizontal swivel function parallel linkage for a constant viewing angle monitor adaptation with tilt and swivel function, VESA 75/ 100</p> <p>pole Ø 20 – 40 mm</p> <p>arm length 400 mm, extension 240 mm arm length 400 mm, extension 300 mm</p>

EquiSys Cable Integrated Mounting System



Mounting Systems for Infinity Explorer and Infinity Symphony

Please refer to the IT Mounting Reference Guide for suitable mounting solutions for Infinity Explorer and Infinity Symphony.

Extension Kit for Variable Height Arms

Bottom-mounted devices which are mounted to Variable Height Arms in a 90° angle to the arm with the arm placed in the lowest position may collide with the arm.

In this case an extension is mounted between the arm and the monitor adaptation.

Illustration	Part no.	Description
	65-EXT	Extension to mount between monitor adaptation and support arm

Partly Integrated Cable Management with Variable Height Arms

Cables with variable height arms may be either completely integrated (running through joints) or partly integrated. In this case cables run within the aluminium profile with cable pass-thru.

Illustration	Part no.	Description
	65-HVK	Aluminum Profile with Cable Pass-Thru for variable height arms
w/o illustration	65-VLK-24 65-VLK-30	Profile with Cable Pass-Thru for extension arm L 240 mm L 300 mm

EquiSys Cable Integrated Mounting System



Shelves and Consoles with Drawers

Illustration	Part no.	Description
 A perspective view of a dark grey console with a white drawer. The console has a metal rail on the top edge and a mounting bracket on the right side.	75-001-02	Console with Drawer for European rails 10 x 25, 8 x 35, 10 x 30, 10 x 50 mm W 400 x D 420 mm
 A perspective view of a dark grey console with a white drawer. The console has a metal rail on the top edge and a mounting bracket on the right side.	75-001-01V	Console with Drawer for poles Ø 20 – 40 mm W 400 x D 420 mm
 A perspective view of a dark grey console with a white drawer. The console has a metal rail on the top edge and a mounting bracket on the right side.	75-001-04	Console with Drawer to attach to CIM wall channel or existing wall channel W 400 x D 420 mm

EquiSys Cable Integrated Mounting System



Illustration	Part no.	Description
 A 3D perspective illustration of a grey counter top with a blue VESA mount on top. The counter has a front panel with a handle and a locking mechanism on the right side.		Counter Top available in different heights for patient monitors and flat panels with VESA standard can be mounted to all shelves and consoles (those must be ordered separately).
 A 3D perspective illustration of a white shelf with a metal frame and a locking mechanism on the right side.	75-002-02	Shelf for European rails 10 x 25, 8 x 35, 10 x 30, 10 x 50 mm W 400 x D 420 mm
 A 3D perspective illustration of a white shelf with a metal frame and a locking mechanism on the right side, similar to the previous shelf but with a different mounting bracket.	75-002-01V	Shelf for poles Ø 20 – 40 mm W 400 x D 420 mm
 A 3D perspective illustration of a white shelf with a metal frame and a locking mechanism on the right side, similar to the previous shelves but with a different mounting bracket.	75-002-04	Shelf to attach to wall channel W 400 x D 420 mm

EquiSys Cable Integrated Mounting System



HPL surface (High Pressed Laminate) is scratch-proof and resistant against detergents. Four different standard colours are available.



yellow-green
NSC S1060-G60Y



lagune
NSC 1040-G



ice-blue
NSC 1005-R90B



white
NSC 0502-G50Y

Please add the colour code to each part no.:

yellow-green	-G
lagune	-L
ice-blue	-F
white	-W

EquiSys Cable Integrated Mounting System



Accessories

Illustration	Part no.	Description
	<p>65-14-4 65-14-2 65-14-1</p>	<p>Power Supply Holster (Universal Mount) to mount to CIM wall channel or existing wall channel to attach to European rail 10 x 25 mm to attach to poles Ø 25 mm/ 38 mm</p>
	<p>65-51-2 65-51-4 65-52-2 65-52-4</p>	<p>Basket W 300 x D 200 x H 180 mm to attach to European rail with quick release clamp to mount to CIM wall channel or existing wall channel W 200 x D 150 x H 100 mm to attach to European rail with quick release clamp to mount to CIM wall channel or existing wall channel</p>
	<p>65-51-7 65-52-7 65-2128 65-2127</p>	<p>Swivel Basket W 300 x D 200 x H 180 mm W 200 x D 150 x H 100 mm to attach to support arm Cable Hook to mount to wall channel Cable Hook to mount to basket down post</p>
	<p>65-2129</p>	<p>Cable Hook to mount to support arm</p>

EquiSys Cable Integrated Mounting System



Illustration	Part no.	Description
	65-2130	<p>Set of Cable Clips (10) cable clips in 3 different sizes self-adhesive</p> <p>Minimum order quantity: 5 sets</p>
	65-2131	<p>Cable Clips self-adhesive</p> <p>Minimum order quantity: 30 pieces</p>
	<p>65-0048 65-0072 65-0096 65-0120</p>	<p>Wall Channel including channel cover</p> <p>length 480 mm length 720 mm length 960 mm length 1200 mm</p> <p>Please ask for special length if required.</p>
	<p>65-DP-15 65-DP-24 65-DP-30</p>	<p>Handle Bar suitable to mount below front joint of the arm</p> <p>length 150 mm length 240 mm length 300 mm</p>

EquiSys Cable Integrated Mounting System



Terms of Delivery and Payment

Payment: 30 days net
Delivery: ex works
Packaging:

Minimum Order Quantity

Customizing of Products

If you need specific and custom-designed solutions, please feel free to contact us.

Not included in delivery

Monitor specific adapter plates which may be required are available depending on monitor type.

Exclusive US Distributor:

Surgimed Solutions, LLC
27 Siemon Company Drive
Suite 104W
Watertown, CT 06795
T (860)274-5900- F (860)274-5906
Email: info@surgimedolutions.com
www.surgimedolutions.com